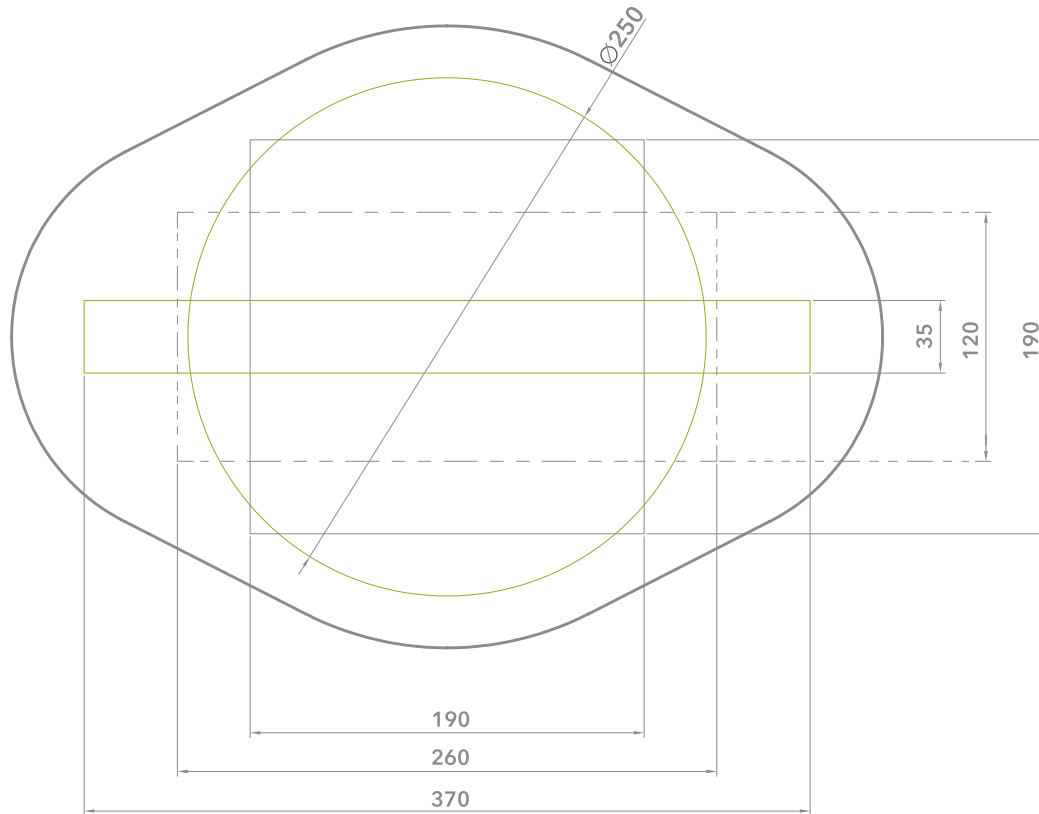


PRODUCTION CAPABILITIES

Approximate maximum dimensions for flat and hollow profiles.



Minimal order quantity	500 / 800 / 1500 kg
Standard length	3000 - 7500 mm
Maximum length of profiles	16 m
Minimal wall thickness	0,9 - 1,2 mm
Maximum weight of the profile	20 kg/lm